

# 400 SERIES

TELESCOPIC BOOM LIFTS



## Performance

|                              |                        |                         |
|------------------------------|------------------------|-------------------------|
| Platform Height              |                        |                         |
| 400S                         | 40 ft                  | 12.19 m                 |
| 460SJ                        | 46 ft                  | 14.05 m                 |
| Horizontal Outreach          |                        |                         |
| 400S                         | 33 ft 3 in.            | 10.13 m                 |
| 460SJ                        | 39 ft                  | 12 m                    |
| Swing                        | 360 Degrees Continuous |                         |
| Platform Capacity            |                        |                         |
| Restricted (400S)            | 1,000 lb               | 454 kg                  |
| Unrestricted                 | 600 lb                 | 272 kg                  |
| 460SJ                        | 600 lb                 | 272 kg                  |
| Platform Rotator             |                        |                         |
| 180 Degrees Hydraulic        |                        |                         |
| Jib (460SJ only)             |                        |                         |
| Range of Articulation        | 6 ft                   | 1.83 m                  |
|                              | 130 Degrees (+70, -60) |                         |
| Weight*                      |                        |                         |
| 400S                         | 13,640 lb              | 6,187 kg                |
| 460SJ                        | 16,600 lb              | 7,530 kg                |
| Max. Ground Bearing Pressure | 60 psi                 | 4.19 kg/cm <sup>2</sup> |
| Drive Speed                  | 4.25 mph               | 6.8 km/h                |
| Gradeability                 | 45%                    |                         |
| Turning Radius               |                        |                         |
| Outside                      | 15 ft 10.5 in.         | 4.8 m                   |
| Inside                       | 6 ft 6.9 in.           | 2.0 m                   |

## Standard Specifications

### Power Source

|                           |         |         |
|---------------------------|---------|---------|
| Dual Fuel Engine          |         |         |
| GM Vortec 3000 MPFI       | 82 hp   | 61 kW   |
| Diesel Engine             |         |         |
| Deutz D2.9L4 Tier 4 Final | 49 hp   | 36.4 kW |
| Fuel Tank Capacity        | 22 gal. | 83.3 L  |

### Hydraulic Reservoir

|                     |        |          |
|---------------------|--------|----------|
| Hydraulic Reservoir | 36 gal | 136.27 L |
| Auxiliary Power     | 12V-DC |          |

### Tires

|          |   |  |
|----------|---|--|
| Standard | 12 x 16.5 Pneumatic Lug Tread Tires       |  |
| Optional | 14 x 17.5 Pneumatic Lug Tread Tires       |  |
|          | 14 x 17.5 Foam-Filled Tires               |  |
|          | 12 x 16.5 Foam-Filled Tires               |  |
|          | 12 x 16.5 Foam-Filled, Non-Marking Tires  |  |
|          | High Flotation Sand/Turf Tires (4WD Only) |  |



## Standard Features

- 180 Degree Hydraulic Platform Rotator
- Platform Console Machine Status Light Panel\*
- 110V-AC Receptacle in the Platform
- 5 Degree Tilt Alarm/Indicator Light
- Swing Out Engine Tray
- 12V-DC Auxiliary Power
- Hourmeter
- Improved Multi-Function Controls
- Proportional Controls
- Interactive Display at Ground Controls
- Control ADE® System
- Lifting/Tie Down Lugs
- Horn
- Four-Wheel Hydrostatic Drive
- Oscillating Axle
- Motion Alarm
- Glow Plugs (Diesel Engines)

\*Provides indicator lights at platform control console for system distress, low fuel, 5 degree tilt light, and foot switch status.

## Accessories & Options

- Inward Self-Closing Swing Gate
- 36 x 72 in. (0.91 x 1.83 m) Platform
- Fall Arrest Platform 36 x 72 in. (0.91 x 1.83 m)
- 1/2 in. Air Line to Platform
- Soft Touch System
- AC Generator
- Tow Package (2WD Only)
- Flashing Amber Beacon
- 43.5 lb (19.73 kg) Propane Tank
- Cold Weather Kit
- Arctic Package
- Hostile Environment Kit
- Light Package
- Platform Worklights
- Special Hydraulic Oils (Consult Factory)
- Spark Arresting Muffler
- Operator Tool Tray
- Accessory Packages
  - SkyPower® Package
  - SkyWelder® Package
  - SkyGlazier® Package
  - Nite Bright® Package
  - SkyGuard®
  - PipeRack

Note: Some options may increase lead time, and some option combinations may not be available.

# 400 SERIES

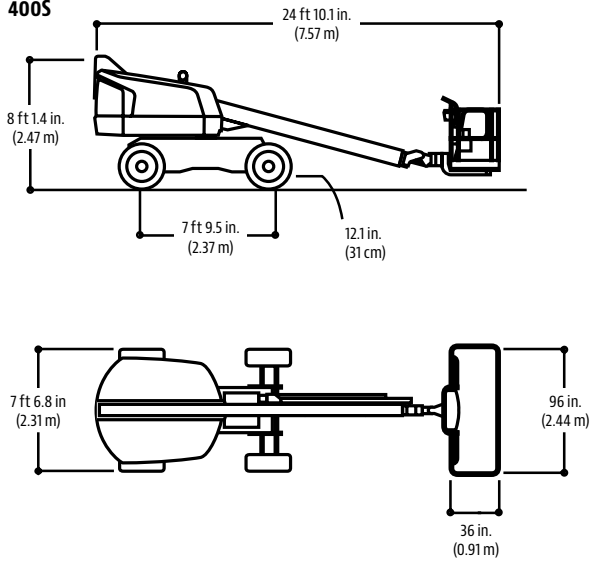
TELESCOPIC BOOM LIFTS



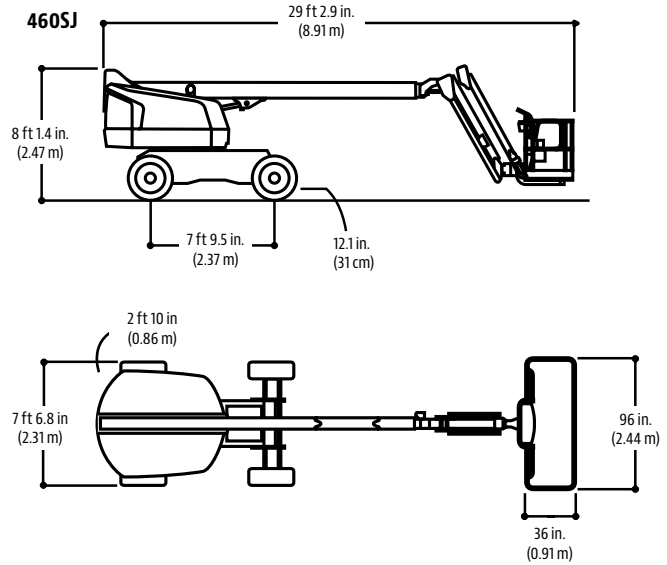
## Dimensions

All dimensions are approximate.

### 400S

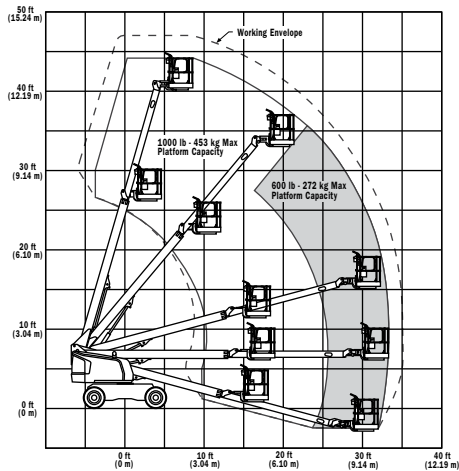


### 460SJ

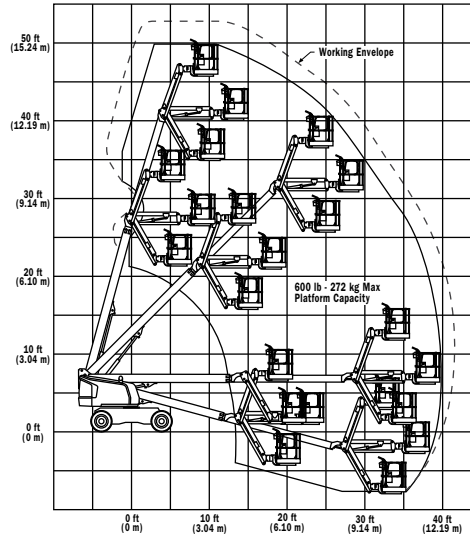


## Reach Diagrams

### 400S



### 460SJ



## The JLG "1 & 5" Warranty

JLG Industries, Inc. backs its products with its exclusive "1 & 5" Warranty. We provide coverage on all products for one (1) full year, and cover all specified major structural components for five (5) years. Due to continuous product improvements, we reserve the right to make specification and/or equipment changes without prior notification. This machine meets or exceeds applicable OSHA Regulations in 29 CFR 1910.67, 29 CFR 1926.453, ANSI A92.5-2006, and CSA Standard CAN3-B354.2-M82, as originally manufactured for intended applications.

Part No.: 3131026  
R041713  
Printed in USA



**JLG Industries, Inc.**  
1 JLG Drive  
McConnellsburg, PA 17233-9533  
Telephone 717-485-5161  
Toll-free in US 877-JLG-LIFT  
Fax 717-485-6417  
[www.jlg.com](http://www.jlg.com)

**An Oshkosh Corporation Company**