

420E/420E IT Backhoe Loader

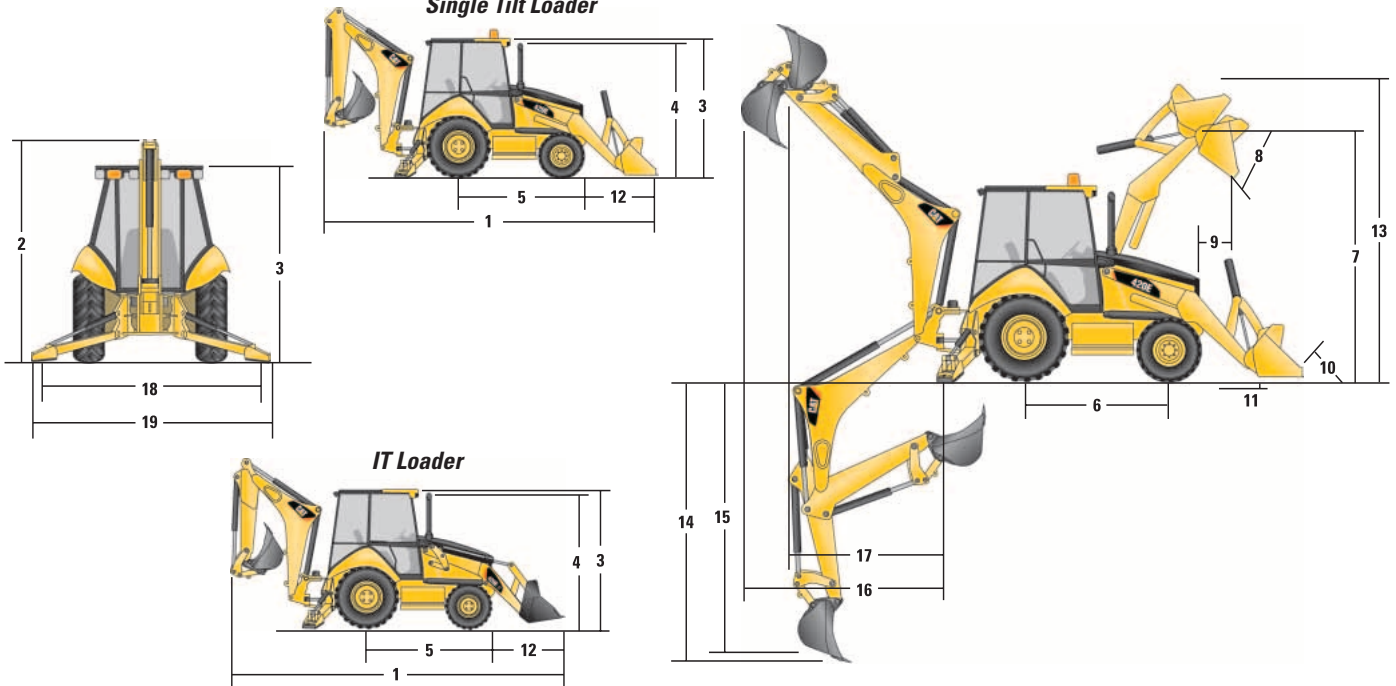
Machine Dimensions

Single Tilt Loader

	General Purpose (0.96 m ³ /1.25 yd ³)		General Purpose (1.00 m ³ /1.31 yd ³)		General Purpose (1.07 m ³ /1.40 yd ³)		General Purpose (1.15 m ³ /1.50 yd ³)	
	mm	ft/in	mm	ft/in	mm	ft/in	mm	ft/in
(1) Overall length (loader on ground)	7290	23 ft 11 in	7245	23 ft 9 in	7307	24 ft 0 in	7232	23 ft 9 in
Overall transport length	7343	24 ft 1 in	7311	24 ft 0 in	7378	24 ft 2 in	7227	23 ft 9 in
(2) Overall transport height (standard stick)	3577	11 ft 9 in	3577	11 ft 9 in	3577	11 ft 9 in	3577	11 ft 9 in
Overall transport height (extendible stick)	3631	11 ft 11 in	3631	11 ft 11 in	3631	11 ft 11 in	3631	11 ft 11 in
Overall Width	2438	8 ft 0 in	2438	8 ft 0 in	2438	8 ft 0 in	2322	7 ft 7 in
(3) Height to top of cab/canopy	2819	9 ft 3 in	2819	9 ft 3 in	2819	9 ft 3 in	2819	9 ft 3 in
(4) Height to top of exhaust stack	2754	9 ft 0 in	2754	9 ft 0 in	2754	9 ft 0 in	2754	9 ft 0 in
Height to loader hinge pin (transport)	365	1 ft 2 in	365	1 ft 2 in	407	1 ft 4 in	405	1 ft 4 in
Ground clearance (minimum)	320	1 ft 1 in	320	1 ft 1 in	320	1 ft 1 in	320	1 ft 1 in
(5) Rear axle centerline to front grill	2704	8 ft 10 in	2704	8 ft 10 in	2704	8 ft 10 in	2705	8 ft 10 in
Front wheel tread gauge	1880	6 ft 2 in	1880	6 ft 2 in	1880	6 ft 2 in	1826	6 ft 0 in
Rear wheel tread gauge	1727	5 ft 8 in	1727	5 ft 8 in	1727	5 ft 8 in	1707	5 ft 7 in
(6) Wheelbase 2WD/4WD	2200	7 ft 3 in	2200	7 ft 3 in	2200	7 ft 3 in	2200	7 ft 3 in

Dimensions and performance specifications shown are for machines equipped with 12.5/80-18 SGL front tires, 19.5L-24 IT525 rear tires, ROPS canopy, standard stick with 610 mm (24 inch) standard duty bucket, and 0.96 m³ (1.25 yd³) loader bucket and standard equipment unless otherwise specified.

Single Tilt Loader



420E/420E IT Backhoe Loader

Machine Dimensions

	Single Tilt Loader							
	Multi Purpose (0.96 m ³ /1.25 yd ³)		Multi Purpose (1.03 m ³ /1.35 yd ³)		Multi Purpose with Forks (1.00 m ³ /1.31 yd ³)		Multi Purpose with Forks (1.07 m ³ /1.40 yd ³)	
	mm	ft/in	mm	ft/in	mm	ft/in	mm	ft/in
(1) Overall length (loader on ground)	7130	23 ft 5 in	7130	23 ft 5 in	7130	23 ft 5 in	7130	23 ft 5 in
Overall transport length	7155	23 ft 6 in	7155	23 ft 6 in	7155	23 ft 6 in	7155	23 ft 6 in
(2) Overall transport height (standard stick)	3577	11 ft 9 in	3577	11 ft 9 in	3577	11 ft 9 in	3577	11 ft 9 in
Overall transport height (extendible stick)	3631	11 ft 11 in	3631	11 ft 11 in	3631	11 ft 11 in	3631	11 ft 11 in
Overall Width	2322	7 ft 7 in	2322	7 ft 7 in	2322	7 ft 7 in	2322	7 ft 7 in
(3) Height to top of cab/canopy	2819	9 ft 3 in	2819	9 ft 3 in	2819	9 ft 3 in	2819	9 ft 3 in
(4) Height to top of exhaust stack	2754	9 ft 0 in	2754	9 ft 0 in	2754	9 ft 0 in	2754	9 ft 0 in
Height to loader hinge pin (transport)	412	1 ft 4 in	412	1 ft 4 in	412	1 ft 4 in	412	1 ft 4 in
Ground clearance (minimum)	320	1 ft 1 in	320	1 ft 1 in	320	1 ft 1 in	320	1 ft 1 in
(5) Rear axle centerline to front grill	2705	8 ft 10 in	2705	8 ft 10 in	2705	8 ft 10 in	2705	8 ft 10 in
Front wheel tread gauge	1826	6 ft 0 in	1826	6 ft 0 in	1826	6 ft 0 in	1826	6 ft 0 in
Rear wheel tread gauge	1707	5 ft 7 in	1707	5 ft 7 in	1707	5 ft 7 in	1707	5 ft 7 in
(6) Wheelbase 2WD/4WD	2200	7 ft 3 in	2200	7 ft 3 in	2200	7 ft 3 in	2200	7 ft 3 in

	IT Loader with Quick Coupler					
	General Purpose (0.96 m ³ /1.25 yd ³)		General Purpose (1.00 m ³ /1.31 yd ³)		General Purpose (1.15 m ³ /1.50 yd ³)	
	mm	ft/in	mm	ft/in	mm	ft/in
(1) Overall length (loader on ground)	7399	24 ft 3 in	7354	24 ft 2 in	7321	24 ft 0 in
Overall transport length	7434	25 ft 5 in	7402	24 ft 3 in	7275	23 ft 10 in
(2) Overall transport height (standard stick)	3577	11 ft 9 in	3577	11 ft 9 in	3577	11 ft 9 in
Overall transport height (extendible stick)	3631	11 ft 11 in	3631	11 ft 11 in	3631	11 ft 11 in
Overall Width	2438	8 ft 0 in	2438	8 ft 0 in	2322	7 ft 7 in
(3) Height to top of cab/canopy	2819	9 ft 3 in	2819	9 ft 3 in	2819	9 ft 3 in
(4) Height to top of exhaust stack	2754	9 ft 0 in	2754	9 ft 0 in	2754	9 ft 0 in
Height to loader hinge pin (transport)	382	1 ft 3 in	382	1 ft 3 in	364	1 ft 2 in
Ground clearance (minimum)	320	1 ft 1 in	320	1 ft 1 in	320	1 ft 1 in
(5) Rear axle centerline to front grill	2704	8 ft 10 in	2704	8 ft 10 in	2705	8 ft 10 in
Front wheel tread gauge	1880	6 ft 2 in	1880	6 ft 2 in	1826	6 ft 0 in
Rear wheel tread gauge	1727	5 ft 8 in	1727	5 ft 8 in	1707	5 ft 7 in
(6) Wheelbase 2WD/4WD	2200	7 ft 3 in	2200	7 ft 3 in	2200	7 ft 3 in

Dimensions and performance specifications shown are for machines equipped with 12.5/80-18 SGL front tires, 19.5L-24 IT525 rear tires, ROPS canopy, standard stick with 610 mm (24 inch) standard duty bucket, and 0.96 m³ (1.25 yd³) loader bucket and standard equipment unless otherwise specified.

420E/420E IT Backhoe Loader

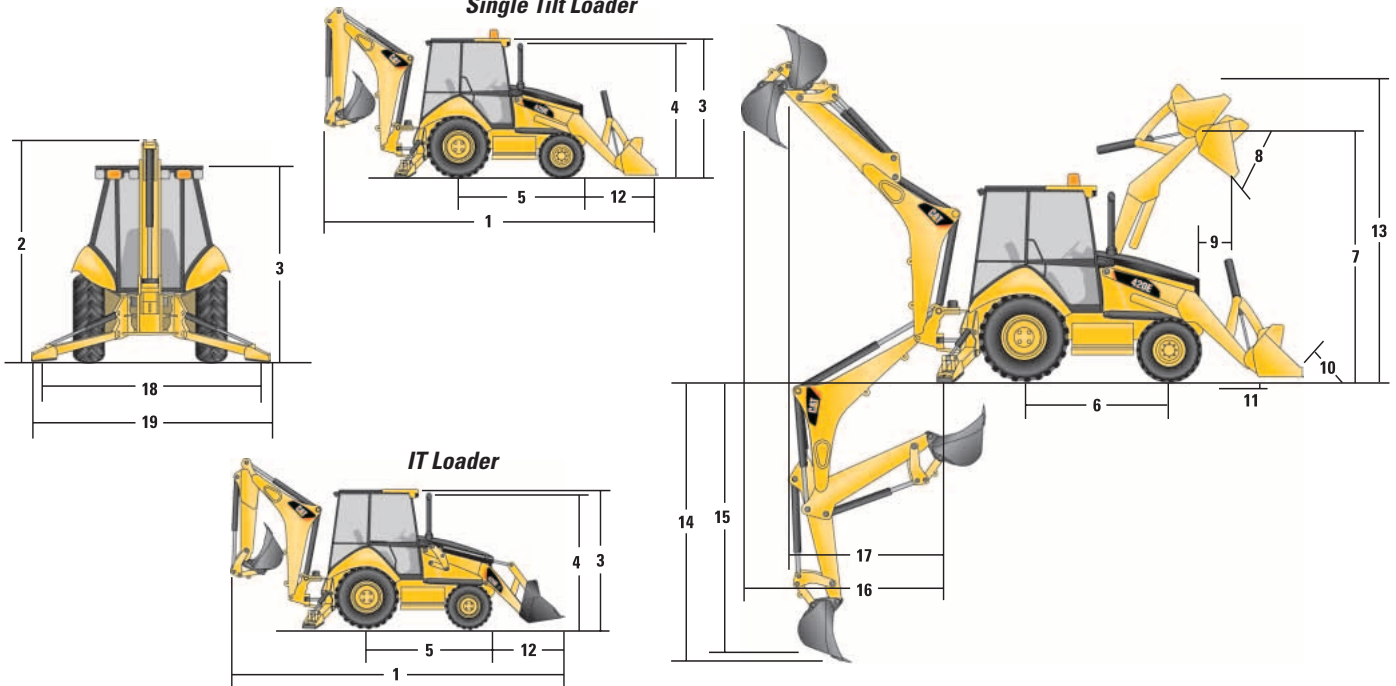
Machine Dimensions

IT Loader with Quick Coupler

	Multi Purpose (0.96 m ³ /1.25 yd ³)		Multi Purpose (1.03 m ³ /1.35 yd ³)	
	mm	ft/in	mm	ft/in
(1) Overall length (loader on ground)	7231	23 ft 9 in	7231	23 ft 9 in
Overall transport length	7208	23 ft 8 in	7208	23 ft 8 in
(2) Overall transport height (standard stick)	3577	11 ft 9 in	3577	11 ft 9 in
Overall transport height (extendible stick)	3631	11 ft 11 in	3631	11 ft 11 in
Overall Width	2322	7 ft 7 in	2322	7 ft 7 in
(3) Height to top of cab/canopy	2819	9 ft 3 in	2819	9 ft 3 in
(4) Height to top of exhaust stack	2754	9 ft 0 in	2754	9 ft 0 in
Height to loader hinge pin (transport)	359	1 ft 2 in	359	1 ft 2 in
Ground clearance (minimum)	320	1 ft 1 in	320	1 ft 1 in
(5) Rear axle centerline to front grill	2705	8 ft 10 in	2705	8 ft 10 in
Front wheel tread gauge	1826	6 ft 0 in	1826	6 ft 0 in
Rear wheel tread gauge	1707	5 ft 7 in	1707	5 ft 7 in
(6) Wheelbase 2WD/4WD	2200	7 ft 3 in	2200	7 ft 3 in

Dimensions and performance specifications shown are for machines equipped with 12.5/80-18 SGL front tires, 19.5L-24 IT525 rear tires, ROPS canopy, standard stick with 610 mm (24 inch) standard duty bucket, and 0.96 m³ (1.25 yd³) loader bucket and standard equipment unless otherwise specified.

Single Tilt Loader



420E/420E IT Backhoe Loader

Loader Bucket Dimensions and Performance

Single Tilt Loader								
	General Purpose (0.96 m ³ /1.25 yd ³)		General Purpose (1.00 m ³ /1.31 yd ³)		General Purpose (1.07 m ³ /1.40 yd ³)		General Purpose (1.15 m ³ /1.50 yd ³)	
Capacity (SAE rated)	0.96 m ³	1.25 yd ³	1.00 m ³	1.31 yd ³	1.07 m ³	1.40 yd ³	1.15 m ³	1.50 yd ³
Overall bucket width	2262 mm	7 ft 5 in	2406 mm	7 ft 11 in	2262 mm	7 ft 5 in	2406 mm	7 ft 11 in
Lift capacity at maximum height	2929 kg	6,457 lb	2937 kg	6,475 lb	2868 kg	6,323 lb	2733 kg	6,025 lb
Breakout force	45.6 kN	10,242 lb	46.3 kN	10,401 lb	45.1 kN	10,130 lb	43.6 kN	9,814 lb
(7) Maximum hinge pin height	3296 mm	10 ft 10 in	3296 mm	10 ft 10 in	3296 mm	10 ft 10 in	3294 mm	10 ft 10 in
(8) Dump angle at full height	44°		44°		44°		46°	
Dump height at maximum angle	2573 mm	8 ft 5 in	2604 mm	8 ft 7 in	2550 mm	8 ft 4 in	2529 mm	8 ft 4 in
(9) Dump reach at maximum angle	853 mm	2 ft 10 in	821 mm	2 ft 8 in	819 mm	2 ft 8 in	752 mm	2 ft 6 in
(10) Maximum bucket rollback at ground level	39°		39°		40°		40°	
(11) Digging depth	106 mm	4 in	106 mm	4 in	146 mm	6 in	146 mm	6 in
Maximum grading angle	107°		108°		108°		111°	
Width of dozer cutting edge	N/A	N/A	N/A	N/A	N/A	N/A	N/A	N/A
(12) Grill to bucket cutting edge, carry position	1516 mm	5 ft 0 in	1484 mm	4 ft 10 in	1551 mm	5 ft 1 in	1544 mm	5 ft 1 in
(13) Maximum operating height	4196 mm	13 ft 9 in	4193 mm	13 ft 9 in	4237 mm	13 ft 11 in	4216 mm	13 ft 11 in
Jaw opening maximum	N/A	N/A	N/A	N/A	N/A	N/A	N/A	N/A
Bucket jaw clamping force	N/A	N/A	N/A	N/A	N/A	N/A	N/A	N/A
Weight (does not include teeth or forks)	438 kg	967 lb	449 kg	989 lb	459 kg	1,012 lb	493.37 kg	1,088 lb

Single Tilt Loader								
	Multi Purpose (0.96 m ³ /1.25 yd ³)		Multi Purpose (1.03 m ³ /1.35 yd ³)		Multi Purpose with Forks (1.00 m ³ /1.31 yd ³)		Multi Purpose with Forks (1.07 m ³ /1.40 yd ³)	
Capacity (SAE rated)	0.96 m ³	1.26 yd ³	1.03 m ³	1.35 yd ³	1.00 m ³	1.31 yd ³	1.07 m ³	1.40 yd ³
Overall bucket width	2279 mm	7 ft 6 in	2425 mm	7 ft 11 in	2279 mm	7 ft 6 in	2425 mm	7 ft 11 in
Lift capacity at maximum height	2616 kg	5,768 lb	2587 kg	5,704 lb	2500 kg	5,512 lb	2471 kg	5,448 lb
Breakout force	46.9 kN	10,547 lb	46.7 kN	10,514 lb	46.0 kN	10,341 lb	45.8 kN	10,308 lb
(7) Maximum hinge pin height	3294 mm	10 ft 10 in	3294 mm	10 ft 10 in	3294 mm	10 ft 10 in	3294 mm	10 ft 10 in
(8) Dump angle at full height	46°		46°		46°		46°	
Dump height at maximum angle	2605 mm	8 ft 7 in	2605 mm	8 ft 7 in	2605 mm	8 ft 7 in	2605 mm	8 ft 7 in
(9) Dump reach at maximum angle	695 mm	2 ft 3 in	695 mm	2 ft 3 in	695 mm	2 ft 3 in	695 mm	2 ft 3 in
(10) Maximum bucket rollback at ground level	40°		40°		40°		40°	
(11) Digging depth	133 mm	5 in	133 mm	5 in	133 mm	5 in	133 mm	5 in
Maximum grading angle	113°		113°		113°		113°	
Width of dozer cutting edge	2262 mm	7 ft 5 in	2406 mm	7 ft 11 in	2262 mm	7 ft 5 in	2406 mm	7 ft 11 in
(12) Grill to bucket cutting edge, carry position	1473 mm	4 ft 10 in	1473 mm	4 ft 10 in	1473 mm	4 ft 10 in	1473 mm	4 ft 10 in
(13) Maximum operating height	4224 mm	13 ft 10 in	4224 mm	13 ft 10 in	4698 mm	15 ft 5 in	4698 mm	15 ft 5 in
Jaw opening maximum	790 mm	2 ft 7 in	790 mm	2 ft 7 in	790 mm	2 ft 7 in	790 mm	2 ft 7 in
Bucket jaw clamping force	55 700 N	12,521 lb	55 700 N	12,521 lb	55 700 N	12,521 lb	55 700 N	12,521 lb
Weight (does not include teeth or forks)	744.69 kg	1,642 lb	773.53 kg	1,705 lb	914.64 kg	2,016 lb	936.27 kg	2,064 lb

Dimensions and performance specifications shown are for machines equipped with 12.5/80-18 SGL front tires, 19.5L-24 IT525 rear tires, ROPS canopy, standard stick with 610 mm (24 inch) standard duty bucket, and 0.96 m³ (1.25 yd³) loader bucket and standard equipment unless otherwise specified.

420E/420E IT Backhoe Loader

Loader Bucket Dimensions and Performance

	IT Loader with Quick Coupler					
	General Purpose (0.96 m ³ /1.25 yd ³)		General Purpose (1.00 m ³ /1.31 yd ³)		General Purpose (1.15 m ³ /1.50 yd ³)	
Capacity (SAE rated)	0.96 m ³	1.25 yd ³	1.00 m ³	1.31 yd ³	1.15 m ³	1.50 yd ³
Overall bucket width	2262 mm	7 ft 5 in	2406 mm	7 ft 11 in	2406 mm	7 ft 11 in
Lift capacity at maximum height	3164 kg	6,975 lb	3162 kg	6,971 lb	3023 kg	6,664 lb
Breakout force	47.1 kN	10,593 lb	47.5 kN	10,672 lb	45.5 kN	10,235 lb
(7) Maximum hinge pin height	3329 mm	10 ft 11 in	3329 mm	10 ft 11 in	3316 mm	10 ft 11 in
(8) Dump angle at full height	45°		45°		45°	
Dump height at maximum angle	2507 mm	8 ft 2 in	2539 mm	8 ft 4 in	2493 mm	8 ft 2 in
(9) Dump reach at maximum angle	831 mm	2 ft 9 in	799 mm	2 ft 7 in	801 mm	2 ft 8 in
(10) Maximum bucket rollback at ground level	40°		40°		40°	
(11) Digging depth	147 mm	6 in	147 mm	6 in	153 mm	6 in
Maximum grading angle	108°		110°		108°	
Width of dozer cutting edge	N/A	N/A	N/A	N/A	N/A	N/A
(12) Grill to bucket cutting edge, carry position	1607 mm	5 ft 3 in	1575 mm	5 ft 2 in	1593 mm	5 ft 3 in
(13) Maximum operating height	4260 mm	14 ft 0 in	4256 mm	14 ft 0 in	4303 mm	14 ft 1 in
Jaw opening maximum	N/A	N/A	N/A	N/A	N/A	N/A
Bucket jaw clamping force	N/A	N/A	N/A	N/A	N/A	N/A
Weight (does not include teeth or forks)	434 kg	957 lb	444 kg	978 lb	481.01 kg	1,060 lb

	IT Loader with Quick Coupler			
	Multi Purpose (0.96 m ³ /1.25 yd ³)		Multi Purpose (1.03 m ³ /1.35 yd ³)	
Capacity (SAE rated)	0.96 m ³	1.26 yd ³	1.03 m ³	1.35 yd ³
Overall bucket width	2279 mm	7 ft 6 in	2425 mm	7 ft 11 in
Lift capacity at maximum height	2800 kg	6,174 lb	2771 kg	6,110 lb
Breakout force	44.5 kN	10,020 lb	44.4 kN	9,983 lb
(7) Maximum hinge pin height	3316 mm	10 ft 11 in	4306 mm	14 ft 2 in
(8) Dump angle at full height	45°		45°	
Dump height at maximum angle	2559 mm	8 ft 5 in	2559 mm	8 ft 5 in
(9) Dump reach at maximum angle	748 mm	2 ft 5 in	748 mm	2 ft 5 in
(10) Maximum bucket rollback at ground level	40°		40°	
(11) Digging depth	144 mm	6 in	144 mm	6 in
Maximum grading angle	111°		111°	
Width of dozer cutting edge	2262 mm	7 ft 5 in	2406 mm	7 ft 11 in
(12) Grill to bucket cutting edge, carry position	1526 mm	5 ft 0 in	1526 mm	5 ft 0 in
(13) Maximum operating height	4306 mm	14 ft 2 in	4306 mm	14 ft 2 in
Jaw opening maximum	790 mm	2 ft 7 in	790 mm	2 ft 7 in
Bucket jaw clamping force	55 700 N	12,521 lb	55 700 N	12,521 lb
Weight (does not include teeth or forks)	724.09 kg	1,596 lb	752.93 kg	1,660 lb

Dimensions and performance specifications shown are for machines equipped with 12.5/80-18 SGL front tires, 19.5L-24 IT525 rear tires, ROPS canopy, standard stick with 610 mm (24 inch) standard duty bucket, and 0.96 m³ (1.25 yd³) loader bucket and standard equipment unless otherwise specified.

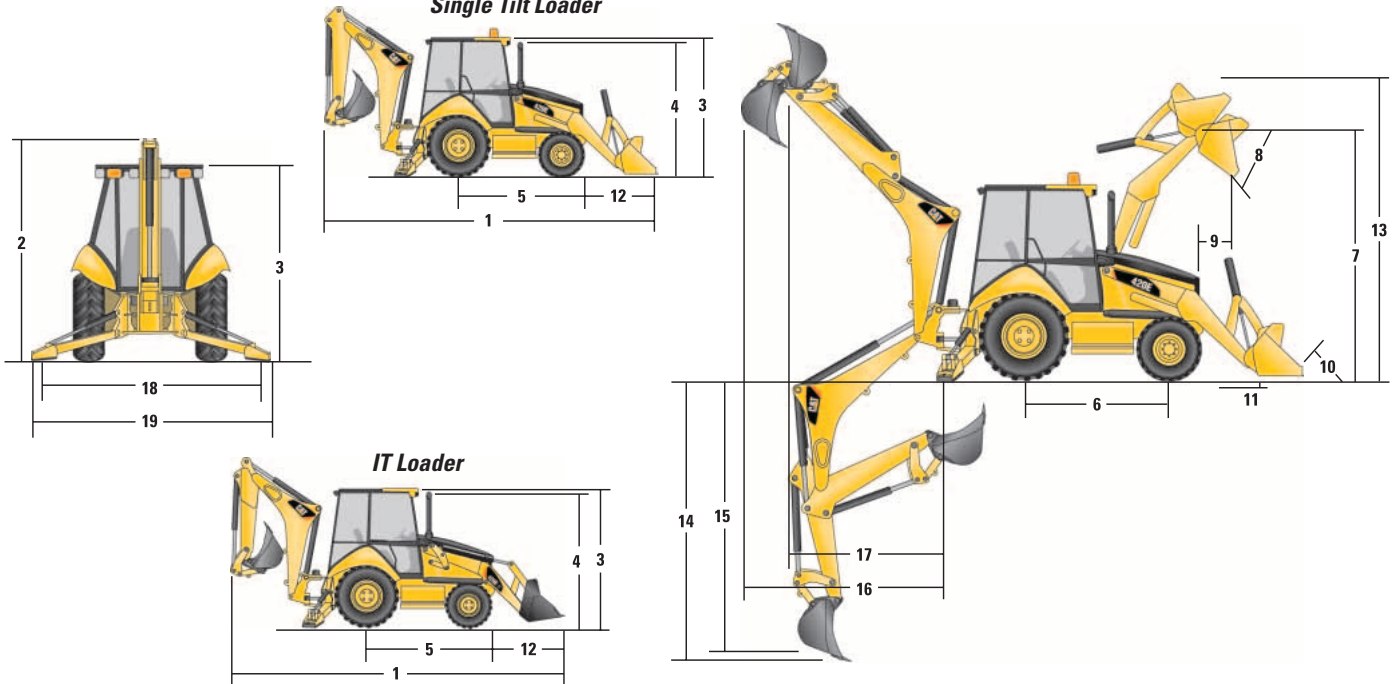
420E/420E IT Backhoe Loader

Backhoe Dimensions and Performance

	Standard Stick		E-Stick Retracted		E-Stick Extended	
(14) Digging depth, SAE (max.)	4360 mm	14 ft 4 in	4402 mm	14 ft 5 in	5456 mm	17 ft 11 in
(15) Digging depth, 610 mm (2 ft) flat bottom	4321 mm	14 ft 2 in	4363 mm	14 ft 4 in	5420 mm	17 ft 9 in
Reach from rear axle centerline at ground line	6721 mm	22 ft 1 in	6760 mm	22 ft 2 in	7769 mm	25 ft 6 in
(16) Reach from swing pivot at ground line	5618 mm	18 ft 5 in	5657 mm	18 ft 7 in	6666 mm	21 ft 10 in
Maximum operating height	5523 mm	18 ft 1 in	5555 mm	18 ft 3 in	6302 mm	20 ft 8 in
Loading height	3636 mm	11 ft 11 in	3577 mm	11 ft 9 in	4145 mm	13 ft 7 in
(17) Loading reach	1768 mm	5 ft 10 in	1868 mm	6 ft 2 in	2771 mm	9 ft 1 in
Swing arc	180°		180°		180°	
Bucket rotation	205°		204°		204°	
(18) Stabilizer spread, operating position (center)	3310 mm	10 ft 10 in	3310 mm	10 ft 10 in	3310 mm	10 ft 10 in
(19) Stabilizer spread, operating position (outside)	3770 mm	12 ft 4 in	3770 mm	12 ft 4 in	3770 mm <td 12 ft 4 in	
Stabilizer spread, transport position	2322 mm	7 ft 7 in	2322 mm	7 ft 7 in	2322 mm	7 ft 7 in
Bucket dig force	61.7 kN	13,875 lb	60.9 kN	13,863 lb	60.9 kN	13,863 lb
Stick dig force	43.0 kN	9,662 lb	42.8 kN	9,616 lb	31.2 kN	7,023 lb

Dimensions and performance specifications shown are for machines equipped with 12.5/80-18 SGL front tires, 19.5L-24 IT525 rear tires, ROPS canopy, standard stick with 610 mm (24 inch) standard duty bucket, and 0.96 m³ (1.25 yd³) loader bucket and standard equipment unless otherwise specified.

Single Tilt Loader



420E/420E IT Backhoe Loader

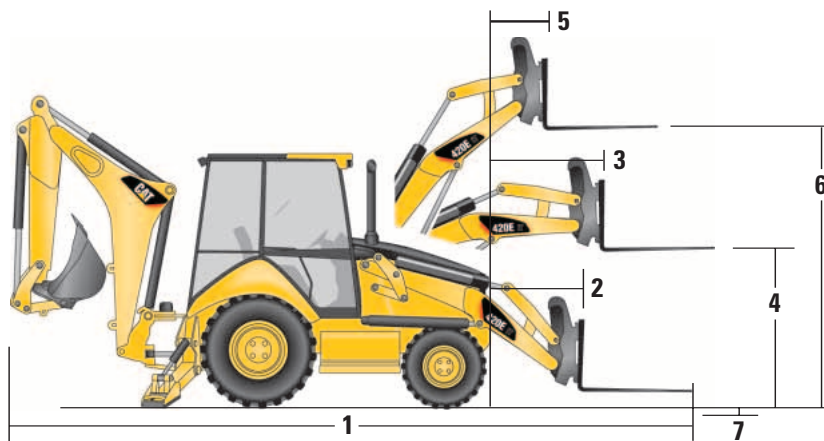
Dimensions with Forks/Material Handling Arm

Fork Tine Length	1070 mm/3 ft 6 in		1220 mm/4 ft 0 in		1370 mm/4 ft 10 in	
Operating load (SAE J1197)	2291 kg*	5,051 lb*	2215 kg*	4,883 lb*	2019 kg	4,451 lb
SAE load center	535 mm	1 ft 9 in	610 mm	2 ft 0 in	685 mm	2 ft 3 in
Operating load (CEN 474-4)	2428 kg	5,353 lb	2406 kg	5,304 lb	2382 kg	5,251 lb
CEN load center	500 mm	1 ft 8 in	500 mm	1 ft 8 in	500 mm	1 ft 8 in
(1) Overall length (forks on ground)	7717 mm	25 ft 4 in	7867 mm	25 ft 10 in	8017 mm	26 ft 4 in
(2) Reach at ground (from grill to heel of fork)†	985 mm	3 ft 3 in	985 mm	3 ft 3 in	985 mm	3 ft 2 in
(3) Maximum reach (from grill to heel of fork)†	1427 mm	4 ft 8 in	1427 mm	4 ft 8 in	1427 mm	4 ft 8 in
(4) Fork height at maximum reach	1458 mm	4 ft 9 in	1458 mm	4 ft 9 in	1458 mm	4 ft 9 in
(5) Reach at maximum height (from grill to heel of fork)†	665 mm	2 ft 2 in	665 mm	2 ft 2 in	665 mm	2 ft 2 in
(6) Maximum fork height	3238 mm	10 ft 7 in	3238 mm	10 ft 7 in	3238 mm	10 ft 7 in
(7) Maximum fork depth (below ground level)	20 mm	1 in	20 mm	1 in	20 mm	1 in

*Tip limited.

†Measured from nose of machine.

Dimensions and performance specifications shown are for machines equipped with 12.5/80-18 SGL front tires, 19.5L-24 IT525 rear tires, ROPS canopy, standard stick with 610 mm (24 inch) standard duty bucket, and 0.96 m³ (1.25 yd³) loader bucket and standard equipment unless otherwise specified.



420E/420E IT Backhoe Loader

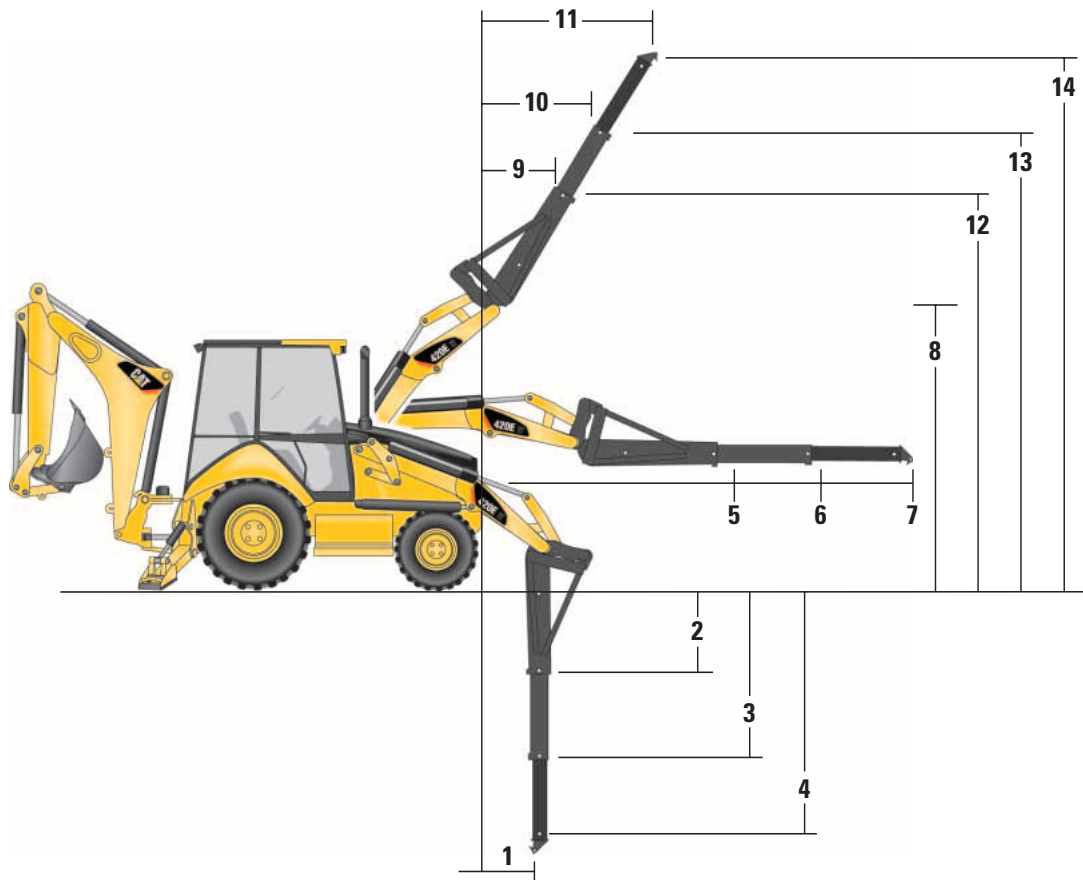
Dimensions/Material Handling Arm

Material Handling Arm Position	Retracted		Mid-Position		Extended	
Operating load (SAE J1197 and CEN 474-4)*†	933 kg	2,057 lb	590 kg	1,301 lb	431 kg	950 lb
Overall length, maximum	8809 mm	28 ft 11 in	9807 mm	32 ft 2 in	10 807 mm	35 ft 5 in
(1) Reach at maximum depth (from machine nose)	585 mm	1 ft 11 in	585 mm	1 ft 11 in	585 mm	1 ft 11 in
(2, 3, 4) Maximum depth	1998 mm	6 ft 7 in	2996 mm	9 ft 10 in	3996 mm	13 ft 1 in
(5, 6, 7) Maximum reach (from machine nose)†	3147 mm	10 ft 4 in	4145 mm	13 ft 7 in	5145 mm	16 ft 11 in
(8) Height at maximum reach	1549 mm	5 ft 1 in	1549 mm	5 ft 1 in	1549 mm	5 ft 1 in
(9, 10, 11) Reach at maximum height (from machine nose)†	1462 mm	4 ft 10 in	2000 mm	6 ft 7 in	2541 mm	8 ft 4 in
(12, 13, 14) Maximum height	5051 mm	16 ft 7 in	5892 mm	19 ft 4 in	6733 mm	22 ft 1 in

*Hydraulically limited.

†Measured from nose of machine.

Dimensions and performance specifications shown are for machines equipped with 12.5/80-18 SGL front tires, 19.5L-24 IT525 rear tires, ROPS canopy, standard stick with 610 mm (24 inch) standard duty bucket, and 0.96 m³ (1.25 yd³) loader bucket and standard equipment unless otherwise specified.

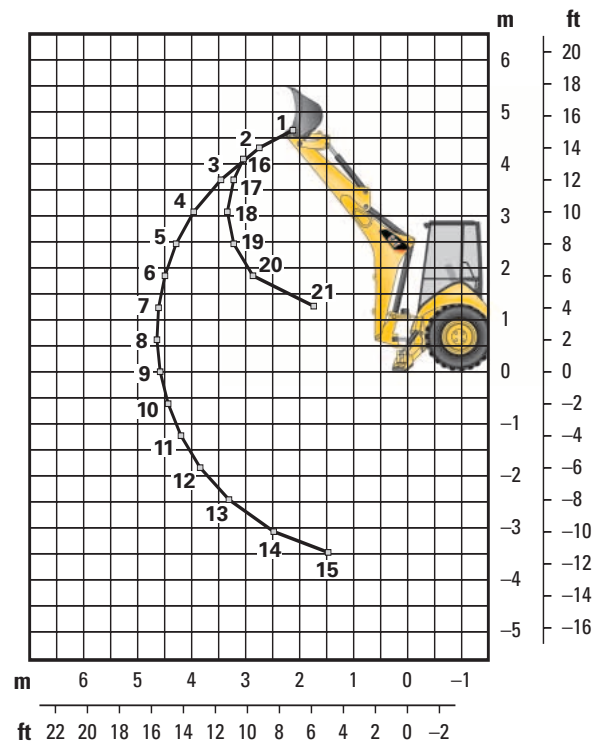


420E/420E IT Backhoe Loader

Backhoe Lift Capacity

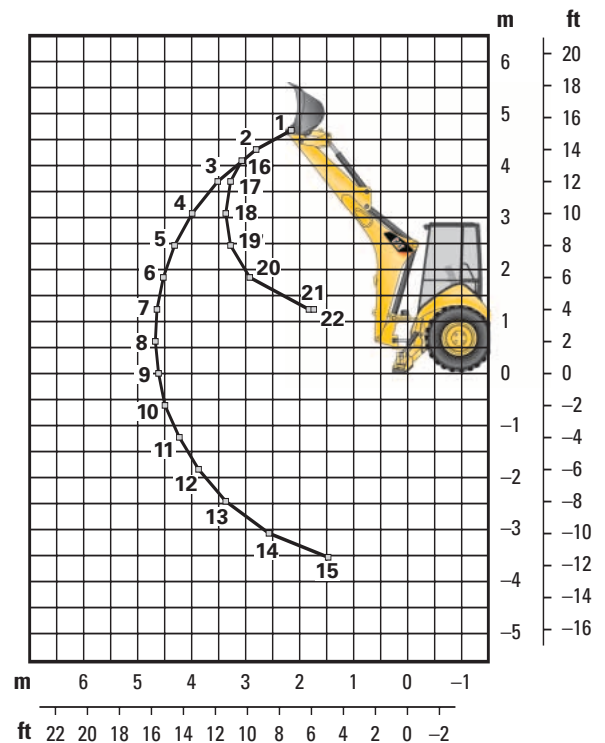
Cat 420E/420E IT Standard Stick

Boom Lifting	kg	lb
1	1585	3,495
2	1733	3,821
3	1759	3,879
4	1718	3,787
5	1659	3,657
6	1597	3,520
7	1536	3,385
8	1478	3,258
9	1424	3,139
10	1375	3,031
11	1331	2,935
12	1295	2,854
13	1270	2,800
14	1280	2,822
15	1439	3,173
Stick Lifting	kg	lb
16	1818	4,007
17	2537	5,592
18	2472	5,450
19	2563	5,649
20	2975	6,559
21	5920	13,050



Cat 420E/420E IT Extendible Stick – Retracted

Boom Lifting	kg	lb
1	1405	3,097
2	1543	3,402
3	1560	3,439
4	1516	3,342
5	1456	3,210
6	1393	3,071
7	1331	2,935
8	1273	2,805
9	1218	2,684
10	1167	2,572
11	1121	2,471
12	1081	2,383
13	1051	2,316
14	1046	2,306
15	1177	2,595
Stick Lifting	kg	lb
16	1664	3,668
17	2366	5,217
18	2273	5,012
19	2355	5,192
20	2728	6,015
21	5294	11,671
22	5716	12,602



Lift Capacities are over-end values. Machine equipped with 4WD, OROPS, 0.96 m³ (1.25 yd³) general purpose bucket, and 116 kg (255 lb) counterweight. Extendible stick includes 488 kg (1,075 lb) counterweight.

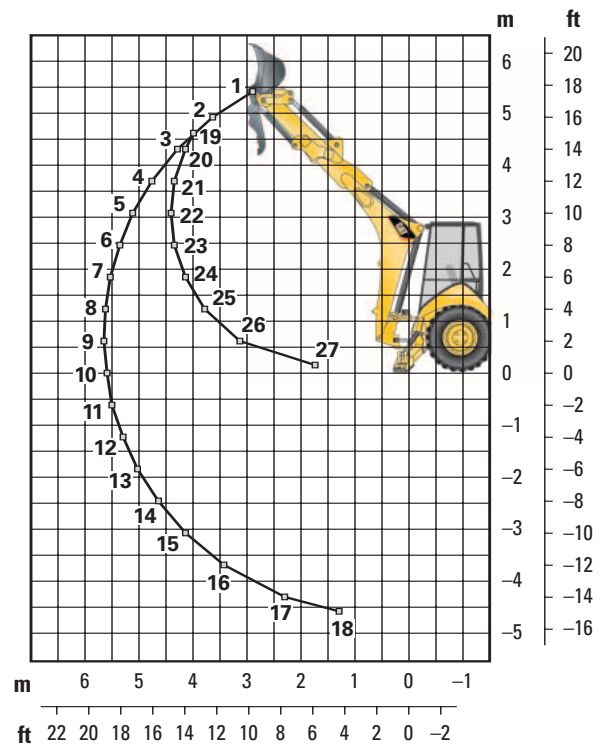
420E/420E IT Backhoe Loader

Backhoe Lift Capacity

Cat 420E/420E IT Extendible Stick – Extended

Boom Lifting	kg	lb
1	816	1,800
2	987	2,176
3	1055	2,326
4	1069	2,358
5	1061	2,340
6	1041	2,294
7	1020	2,248
8	994	2,192
9	968	2,135
10	943	2,080
11	920	2,029
12	900	1,983
13	883	1,946
14	872	1,922
15	872	1,922
16	896	1,976
17	1030	2,272
18	1555	3,429

Stick Lifting	kg	lb
19	859	1,893
20	1104	2,434
21	1443	3,181
22	1547	3,410
23	1572	3,466
24	1673	3,687
25	1899	4,185
26	2467	5,438
27	5685	12,534



Lift Capacities are over-end values. Machine equipped with 4WD, OROPS, 0.96 m³ (1.25 yd³) general purpose bucket, and 116 kg (255 lb) counterweight. Extendible stick includes 488 kg (1,075 lb) counterweight.

420E/420E IT Backhoe Loader

Counterweights

Minimum Counterweight Recommendations

Standard Stick

Loader Bucket	Power Train	Single-Tilt		IT Loader w/QC	
		kg	lb	kg	lb
GP	2WD/4WD	231	510	no counterweight	
MP	2WD/4WD	no counterweight		no counterweight	
Forks	2WD/4WD	N/A	N/A	no counterweight	
Material Handling Arm	2WD/4WD	N/A	N/A	no counterweight	

Extendible Stick

Loader Bucket	Power Train	Single-Tilt		IT Loader w/QC	
		kg	lb	kg	lb
GP	2WD/4WD	488	1,075	231	510
MP	2WD/4WD	231	510	no counterweight	
Forks	2WD/4WD	N/A	N/A	no counterweight	
Material Handling Arm	2WD	N/A	N/A	116	255
Material Handling Arm	4WD	N/A	N/A	no counterweight	

Backhoe Buckets

With weld on adapters and pin-on teeth

Standard Duty

Width		Rated Capacity		Weight		No. of Teeth
mm	in	L	ft ³	kg	lb	
305	12	78	2.8	97	213	3
457	18	118	4.2	115	253	4
610	24	175	6.2	132	290	5
762	30	233	8.2	147	323	5
914	36	292	10.3	165	363	6

Heavy Duty

Width		Rated Capacity		Weight		No. of Teeth
mm	in	L	ft ³	kg	lb	
305	12	78	2.8	105	231	3
406	16	105	3.7	128	282	3
457	18	118	4.2	129	284	4
610	24	175	6.2	151	332	5
762	30	233	8.2	167	367	5
914	36	292	10.3	189	416	6

Soil Excavation

Width		Rated Capacity		Weight		No. of Teeth
mm	in	L	ft ³	kg	lb	
457	18	181	6.4	153	336	4
610	24	241	8.5	179	395	5
762	30	320	11.3	197	434	5
914	36	380	13.4	223	491	6

Heavy Duty Rock

Width		Rated Capacity		Weight		No. of Teeth
mm	in	L	ft ³	kg	lb	
305	12	70	2.5	120	265	3
457	18	127	4.5	150	331	4
610	24	198	7.0	175	386	5
762	30	255	9.5	195	430	5
914	36	311	11.5	210	463	6

Coral

Width		Rated Capacity		Weight		No. of Teeth
mm	in	L	ft ³	kg	lb	
305	12	60	2.1	134	295	4
457	18	100	3.5	155	341	6
610	24	140	4.9	182	402	8
762	30	190	6.7	210	463	10