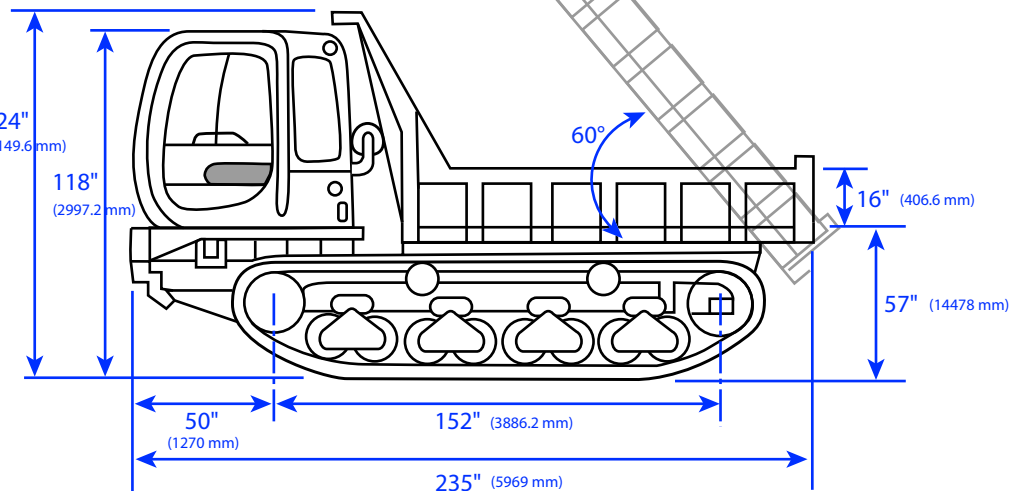
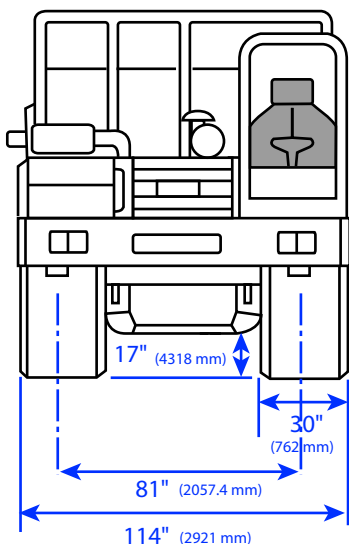
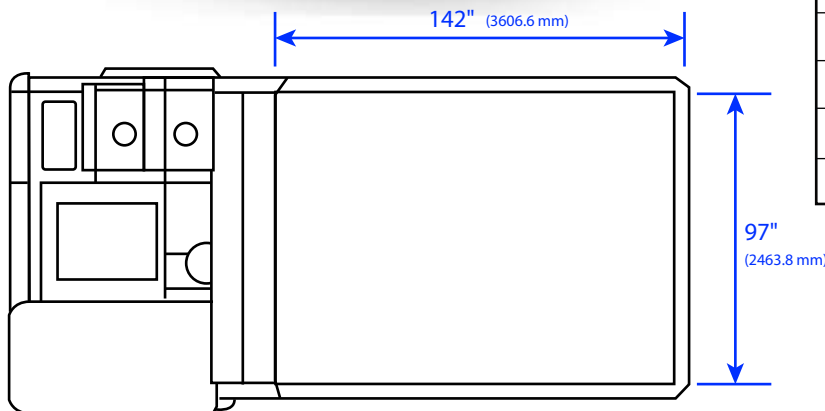




ENGINE	
Make:	Caterpillar
Model:	C7
6 cylinder, Displacement:	8.8 liter
250 hp @ 2,100 rpm	
Fuel tank capacity:	63.4 gal (285 liter)
MACHINE WEIGHT	
29,762 lbs (13528.18 kg)	
PERFORMANCE	
Max. Carrying Capacity	22,046 lbs (10,020 kg)
Travel Speed - Low	0-5.0 mph (0-8.04 km/h)
Travel Speed - High	0-7.5 mph (0-12.07 km/h)
Gradeability (unloaded)	30 degrees
Ground Pressure(GP)	3.1 psi (0.218 kg/cm <sup>2</sup> )
(GP) (loaded)	5.7 psi (0.401 kg/cm <sup>2</sup> )



**National Compressed Air**  
[www.morookacanada.com](http://www.morookacanada.com)

**Western Canada**

Phone: 1-780-960-6085 or 1-866-960-6085

[alberta@nationalcompressedair.com](mailto:alberta@nationalcompressedair.com)

**Eastern Canada**

Phone: 1-905-897-9800 or 1-800-268-2052

[info@nationalcompressedair.com](mailto:info@nationalcompressedair.com)